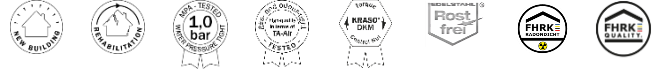


TECHNICAL DATA SHEET



KRASO® Sealing Insert Type IN-GR

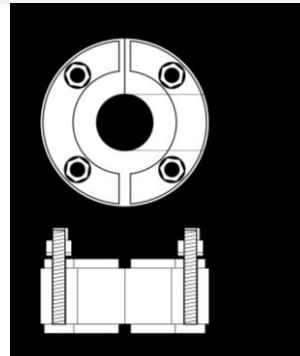
Application area

internal sealing insert for cable protective hoses Type-R / corrugated pipes for the installation of one or several media lines or cables. Split design for retrofit installation, with Torque Control Nut KRASO® DKM.

Product image



Technical drawing



Material

Clamping plates	non-corrosive stainless steel V2A
Pressure distribution disc	non-corrosive stainless steel V2A
Bolts	non-corrosive stainless steel V2A
Washers	non-corrosive stainless steel V2A
Nuts	Torque Control Nut KRASO® DKM
Seal	EPDM 50°+/-5° shore

Technical Details

- Torque Control Nut KRASO® DKM: integrated torque limiter - no torque wrench required!
- Tested according to FHRK test specification GE 101!
- Radon tightness IAF tested - meets the requirements for radon precautionary areas according to FHRK leaflet MB 101!
- Axial bending of the media pipes up to 8° possible
- MPA-tested gas- and water pressure tightness up to 1 bar

Test Certificates | [In our download area](#)

Dimensions

Corrugated pipe diameter DN	90	110	110	110	160	160	160
K	75	92	92	92	136	136	136
M	1x 5 - 33 or blind	1x 5 - 48 or blind	1x 5 - 18 1x 5 - 38 or blind	4x 5 - 18 or blind	3x 5 - 43 or blind	4x 5 - 38 or blind	6x 5 - 33 or blind
L	30	30	30	30	30	30	30
Weight	0,6	0,8	0,8	0,8	1,3	1,3	1,3
Item No.	KD1090INGR	KD110INGR01	KD110INGR02	KD110INGR04	KD160INGR03	KD160INGR04	KD160INGR06

• Corrugated pipe diameter DN | (mm) • K | Internal diameter corrug. pipe (mm) • M | Media line (mm) • L | Seal (mm) • Weight | in kg